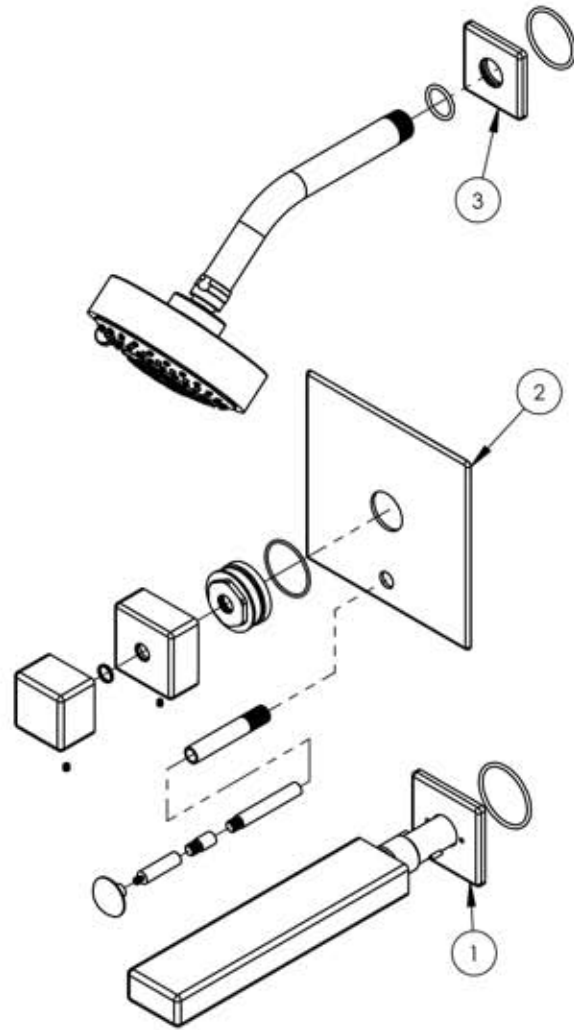


A

B

C

D



ITEM NO.	PART NUMBER	DESCRIPTION	QTY.
1	3-124/00	WALL TUB SPOUT, MIX SERIES	1
	10934/00	ESCUTCHEON, SPOUT RT MIX SERIES	1
	92158	DOWEL PIN, 1/8" X 3/8"L	2
	90131	O-RING, 1-11/16ID X 3/32THK, AS-568-131	1
	11000/00	SPOUT, WALL MOUNT	1
	10013	INJECTOR SHANK, 1/2"NPT MALE TO M16.5 CACHE W/ O-SEAL	1
	90016	O-RING, 5/8"ID X 3/4"OD X 1/16"THK, AS-568-016	3
	11234	EXTENSION 1/2"-NPT FOR INJECTOR SHANK	1
	92008	SET SCREW, CUP POINT 8-32	2
	P05051	AERATOR, CACHE COINED SLOT M24X1.0 FULL FLOW	1
2	4-110/00	PB PLATE W/ DIVERTER, CUBE HANDLE, MIX SERIES	1
	10959/00	SHOWER TRIM PLATE W/ DIVERTER HOLE, MIX SERIES	1
	11004	SLEEVE MOUNT, WALL SHOWER	1
	90029	O-RING, 1-5/8"ID X 1-3/4"OD X 1/16"THK, AS-568-029	1
	3-122/00	PB SHOWER SET, HANDLE CUBE MIX	1
	10962/00	HUB FOR SHOWER, MIX SERIES	1
	10926/00	HANDLE, SQUARE/CUBE MIX SERIES	1
	92176	WEAR WASHER	1
	92005	SET SCREW, CUP PT 6-32UNC THREAD 3/16"L	1
	92008	SET SCREW, CUP POINT 8-32	1
	3-125/00	EXTENSION ASSY FOR PB TUB & SHOWER SET	1
	11008/00	DIVERTED STEM FOR PB PLATE	1
	11006/00	PULL KNOB, DIVERTER, 10-24	1
	11085/00	EXTENSION PIN FOR PB TUB & SHOWER SET	1
	11007/00	EXTENSION PIN FOR PB TUB & SHOWER SET 1.25LONGER	1
	P17066/00	EXTENSION SLEEVE, STEM, PB TUB & SHOWER SET	1
3	4-139/00	SHOWER HEAD 8" ARM, 6 JET, SQ. WALL FLANGE, MIX STRIA SERIES	1

E

B5	A	ADD 6 JET PLUNGER SHOWER HEAD	12-19-13	
ZONE	REV.	DESCRIPTION	DATE	APPROVED
REVISIONS				

1261 LOGAN AVENUE COSTA MESA, CALIFORNIA 92626 PHONE: 714.361.4800 FAX: 714.617.3120		<h1>PHYLORICH®</h1> <p>Defining Luxury Since 1959</p>	PROPRIETARY AND CONFIDENTIAL THE INFORMATION CONTAINED IN THIS DRAWING IS THE SOLE PROPERTY OF RISS MANUFACTURING. ANY REPRODUCTION IN PART OR AS A WHOLE WITHOUT THE WRITTEN PERMISSION OF RISS MANUFACTURING IS PROHIBITED.
---	--	---	---

-	-	INTERPRET GEOMETRIC DIMENSIONING & TOLERANCING IN ACCORDANCE WITH ASME Y14.5-2009 & ASME Y14.41-2003 STANDARDS, UNLESS OTHERWISE SPECIFIED. DIMENSIONS ARE IN INCHES. TOLERANCES ARE: FRACTIONS ±1/64" DECIMALS X.X: ±.1 ANGULAR ±.5° X.XX: ±.01 X.XXX: ±.005
NEXT ASSY	USED ON	
APPLICATION		
MATERIAL		
FINISH		
DO NOT SCALE DRAWING		
CHECKED	GRE	

PB SHOWER W/ DIVERTER SET TRIM, CUBE HANDLE, MIX SERIES		
SIZE	ASM/PRT NO.	REV
A	290-29/00	A
SCALE: 1:4	WEIGHT: lbs.	SHEET 1 OF 3

5

4

3

2

1